



**Charging Trolley for Notebooks /  
Tablets up 15.6 inch with UV-C &  
Data Synchronization**



**Manual**

DN-45005

## Product Description

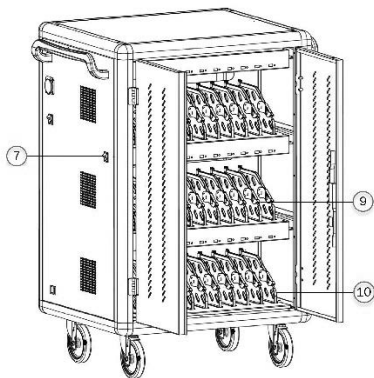
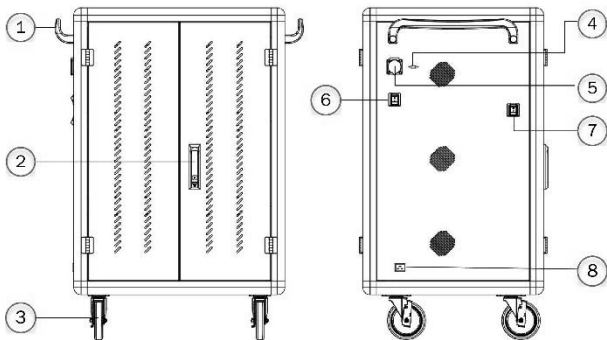
The mobile charging cabinet from DIGITUS® is the ideal and compact solution for storing and charging your portable devices such as notebooks and tablets. Mobile charging cabinets are frequently used in public facilities such as schools in order to store devices securely at a central location while charging them at the same time. The cabinet includes 3 rows with 10 charging stations each, all of which have their own USB connection on the front. The devices can also be connected with installed socket strips (3 x 10 safety sockets) at the back. Thanks to ample cable feedthroughs and excess cable storage, optimal cable management is guaranteed. Installed ventilators (3 x 24 V) combined with ventilation slits ensure active cooling of the cabinet.

## Technical Features

- Double Folding Front and Back Door
- Pressure lock system with swiveling lever handle on the front and back door, lockable
- 180° door opening angle
- 2-point locking (rod lock)
- Incl. 4 rollers (2 lockable)
- Including handles for better mobility (enclosed)
- Product dimensions DN-45005 (H x W x D) in mm: 1100 x 700 x 650 mm
- Safety plug socket (AC) with switch on the side
- C20 connection on the side
- Incl. RCD 30 mA (residual current operated device)
- Delivery is completely assembled
- Depth of inner tray (DN-45002): 415 mm (suitable for up to 15.6" devices)

## Package content

- Mobile charging cabinet
- 2 x handle (for installation on outside) including mounting material
- Power cable



- 1) Handle
- 2) Handle with lock
- 3) Super silent universal brake casters
- 4) External USB outlet
- 5) External output socket
- 6) Power switch
- 7) UV switch
- 8) Power input port
- 9) Plastic separator
- 10) Drawer (optional)

## Service Environment

Working temperature	0°C~45°C
Working environment humidity	20%~80%
Humidity of storage environment	-15°C ~45°C
The machine has passed the national CCC certification, CE certification and RoHS certification	

## Product Parameter

Main material	The main body adopts 1.0mm-1.5mm cold-rolled steel plate, the main frame adopts high strength aluminum profiles, the cabinet is provided with ABS engineering plastic partition layer, a layering the tablet is effective in preventing scratches
Input	Alternating current AC 110V/220V, 50/60Hz, 16A
Product power	3500W
Cooling system	Forced air cooling
Output	Recharge: 5V 2.1A Quick recharge: 20W Output: 110V/220V, 50/60Hz, 10A/16A
Status indicator light	Red light: in charging state, green light: full/disconnected
External AC socket	1 x safety outlet
External USB charging port	1
System compatibility	Android system, IOS system, Windows system
Support fast charging protocol	Apple, BC1.2(DCP), HUAWEI-FCP, MTK PE, SAMSUNG-AFC
Super compatible	Other Android devices, Other mobile terminals, V+/V-No agreement class

## Behaviour of electricity

1. Overload protection: Cut off the power automatically when overloaded, protect equipment
2. Leakage protection: Quick leakage protection device, double leakage protection. Prevent personal electric shock and leakage and ensure safety
3. Insulation blocking: AC and DC isolation design, electrical shield installation, safe low voltage
4. Overcurrent protection: Each port is configured independently to the maximum 3.1A continuous output, discount the failed port output when the load overflows. Don't affect other port usage
5. Input overvoltage protection: When the power input voltage is higher than 30V, intelligent cut off input and output, protect other charging equipment from damage
6. Input undervoltage protection: When the power input voltage is below 8V, intelligent cut off input and output, protect other charging equipment from damage
7. Output short circuit protection: Cut off the output in case of abnormal short circuit of the output port to ensure safety
8. Perfusion protection: Built-in reverse cut-off, prevent equipment current backflow
9. Overcharge protection: Built-in overcharge protection circuit, intelligent detection charging condition of charging equipment, after the completion of charging it will automatically stop charging to realize worry-free charging
10. To use safety as the premise, intelligent control to achieve high-performance, high-quality, charging
11. Efficient heat dissipation: The design of air flow heat dissipation channel with lower intake and upper exhaust is adopted to effectively improve the heat dissipation effect
12. Industrial concentrator charging: more in line with public charging than the original civil charger
13. To provide a high-quality use environment
14. The integrated circuit: Built-in MCU+ intelligent chip integrated circuit (DS dual intelligent charging)
15. Automatically turn lights: Multicolor status indicator, automatically displays current port device status
16. The temperature control: When the temperature in the cabinet exceeds 40°C, start the cooling fan to dissipate heat quickly and ensure safe charging
17. Auto sleep: Automatic sleep without charging device, reduce power consumption, intelligent ring charging

18. Auto sleep: Automatic sleep without charging device, reduce power consumption, intelligent ring charging
19. Wide voltage input: Support global 100~264V wide voltage input (optional)

## Other characteristics

Details make for a better user experience

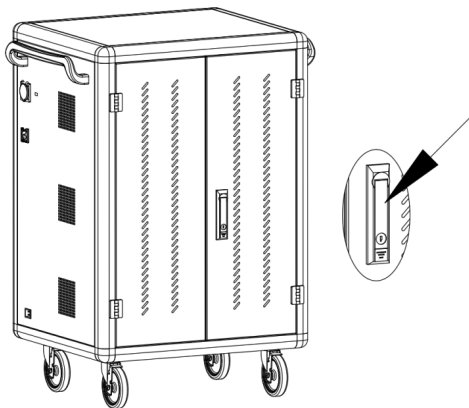
1. Mute design: Adopt silent silicone universal wheel and cLOCKED variable speed cooling fan, greatly reduce noise generation
2. Neat: Gate array mode, beautiful and tidy, projected status indicator light, at a glance

Ergonomic: Plastic partition bracket, arc edge design, self-braking function

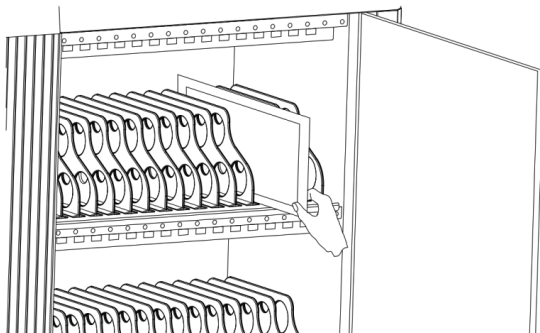
Mistake proofing design: Users need not care the equipment always works at its best

## USB Charging operation

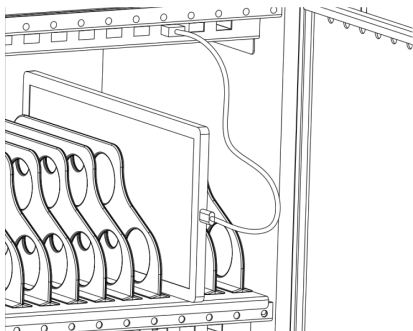
1. Disconnect the charger in advance and open the cabinet door.



2. According to the tablet number, put the tablets one by one into the tablet rotation slot corresponding to the number

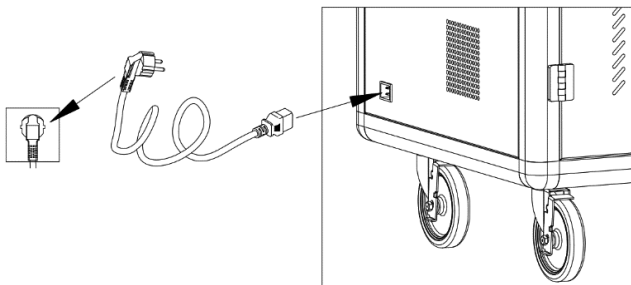


3. The two ends of the USB cable are connected to the charging HUB port on the device and the tablet port respectively



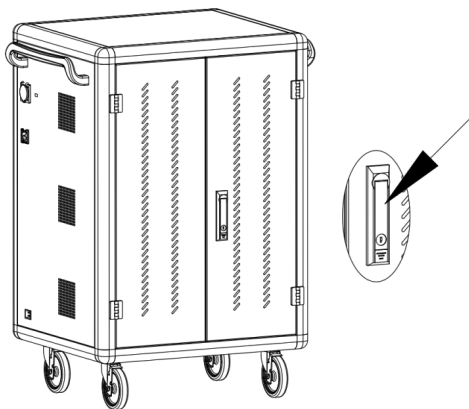
4. After the connection is completed, lock the cabinet door and plug the power plug of the charging car into the mains outlet for charging

5. Switch the main power switch to "ON", and then all charging units' LED charging status indicator lights up red, and the device is in charging state



## Charging operation with adapter

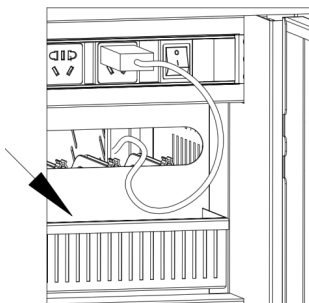
6. Disconnect the charger in advance and open the rear door



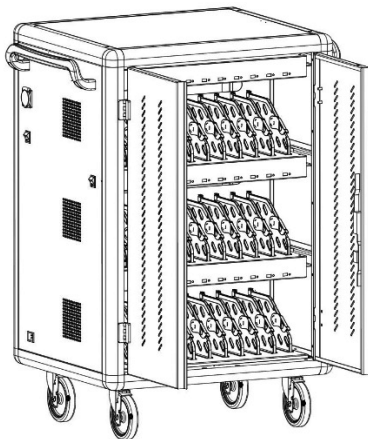


7. Plug your tablet or laptop charger into the socket at the back of the car one by one, then thread the cable through the hole. For laptop charges, place the adapter in the bucket below the thread hole

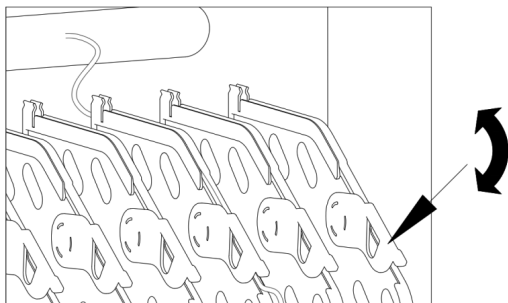
Laptop adapter  
(optional) can be  
placed here.



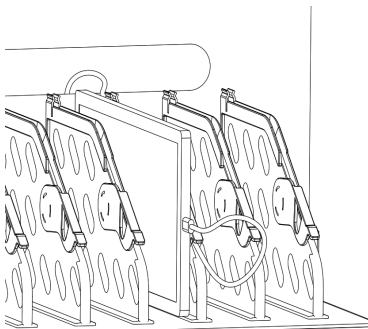
8. Open the front door of the charging car



9. Jam the data line with the buckle and arrange the data line

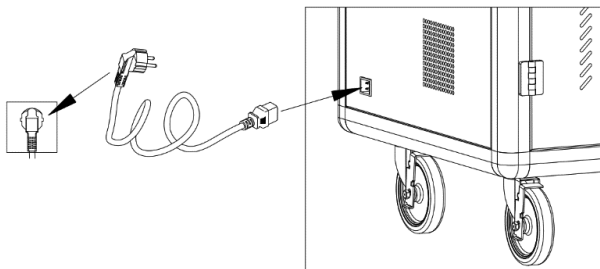


10. Place tablets or laptop one by one in the tablet (laptop) slot and connect to the corresponding data cable



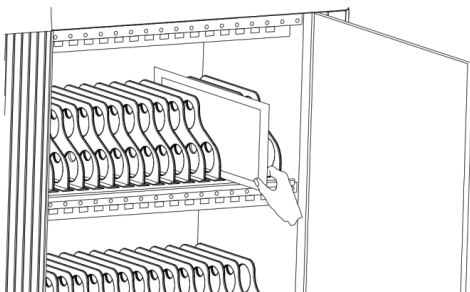
11. After the connection is completed, lock the cabinet door and plug the power plug of the charging car into the mains outlet for charging

12. Switch the main power switch to “ON” and then all charging units are in charging state

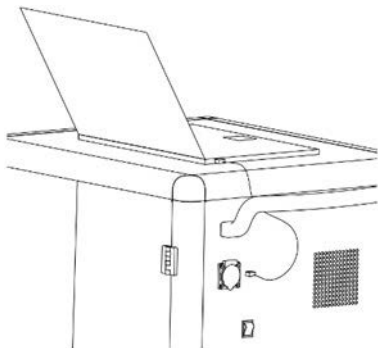


## Data transfer function operation

1. After the charging operation is completed, if data transmission is needed, apple or other operating system computers shall be connected to the side of the charging car with USB cable



2. Turn on the master computer for data synchronization. After the data transmission, remove the data cable connection between the master computer and the charging car, and automatically return to the charging mode



## Declaration

Hereby Assmann Electronic GmbH, declares that the Declaration of Conformity is part of the shipping content. If the Declaration of Conformity is missing, you can request it by post under the below mentioned manufacturer address.

**www.assmann.com**  
Assmann Electronic GmbH  
Auf dem Schüffel 3  
58513 Lüdenscheid  
Germany

